

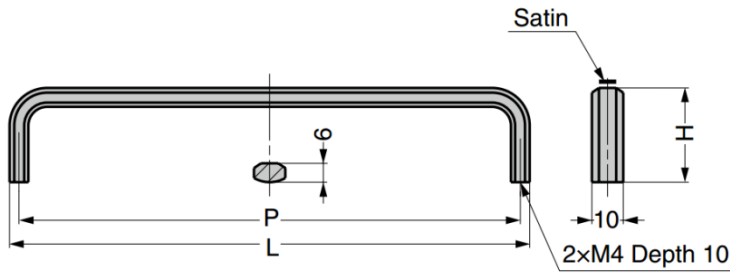
GXL-JS Stainless Steel 316 Handle

Material

- Stainless steel 316, polished and satin finish

Parts Included

- Truss head screw M4 x 25 (SUS)



Part No.	L	P	H
GXL-JS165TT	166	160	30
GXL-JS260TT	260	254	33
GXL-JS360TT	358	352	36

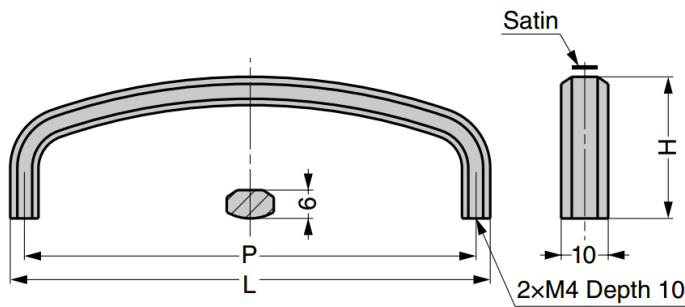
GXL-JSR Stainless Steel 316 Handle

Material

- Stainless steel 316, polished and satin finish

Parts Included

- Truss head screw M4 x 25 (SUS)



Part No.	L	P	H
GXL-JSR40TT	38	32	27
GXL-JSR70TT	70	64	30
GXL-JSR100TT	102	96	
GXL-JSR135TT	134	128	